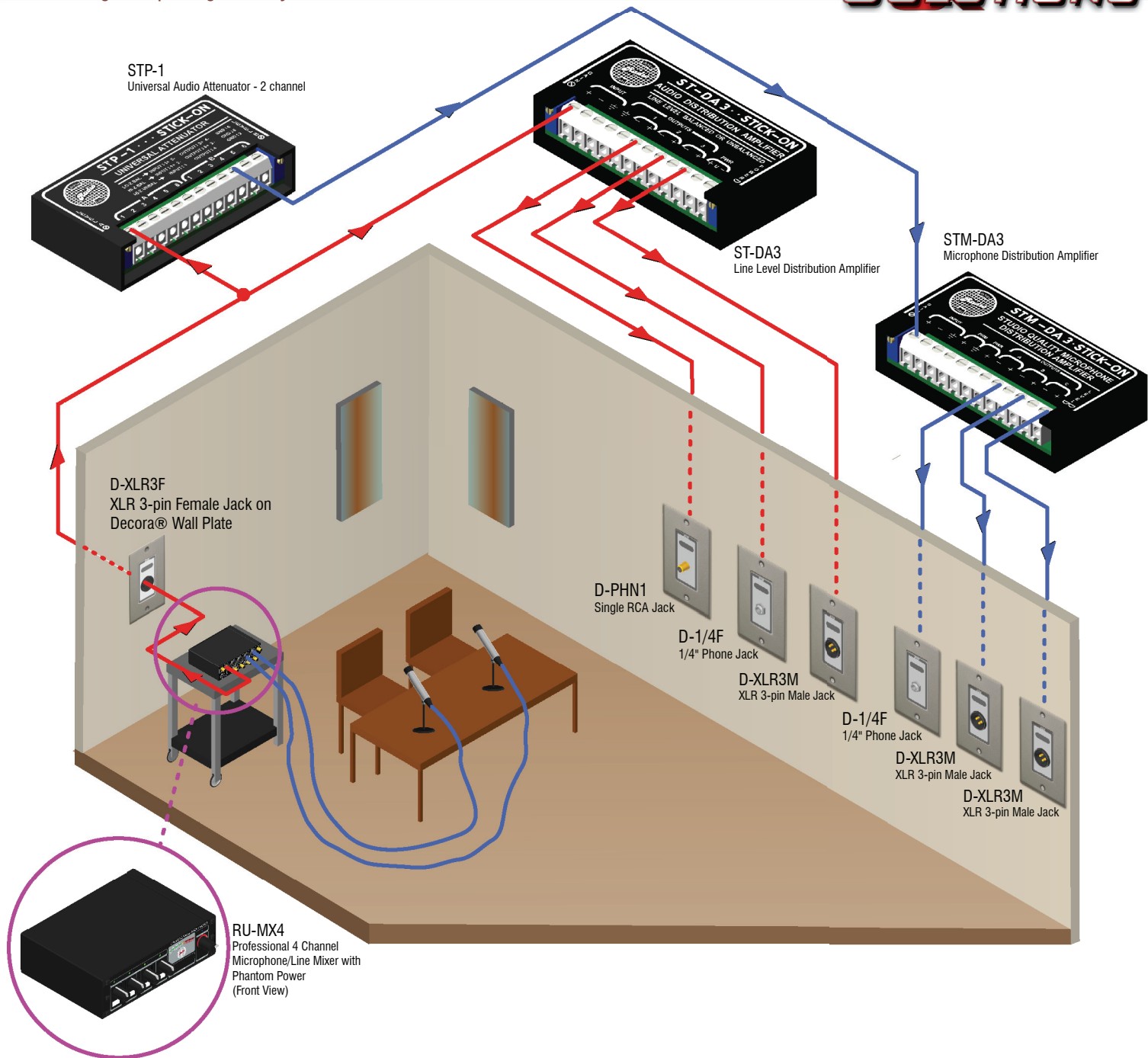


ISOLATED MEDIA FEEDS

Buffering Multiple High Quality Audio Feeds



Description:

Speeches, government meetings, product announcements and other media events are occasions where a number of reporters in the electronic press require a high quality audio feed from the event organizers. The recording equipment in use might require a mic, balanced line level or unbalanced line-level signal. It is critical that each feed is isolated so that if one feed is accidentally shorted or back-fed, no other feed will be affected nor will the public address system. This example uses RDL STICK-ONS® to provide isolated audio output signals driving a variety of audio jacks on a "Media Panel." An RDL RU-MX4 Pro 4-Input Mixer is used as the audio source. The line-level source is distributed through an ST-DA3 Audio Distribution Amplifier to line-level outputs on RCA, 1/4" phone, and XLR jacks. The same source is padded down to mic level using an STP-1 Attenuator and distributed through an STM-DA3 Microphone Distribution Amplifier to the mic outputs. All jacks shown are on Decora® wall plates. These jacks are available in the RDL AMS series should a rack or tabletop mount be preferred. Distribution of video at these events can also be added using RDL composite and VGA/XGA distribution amplifiers.

Parts List	
Product	QTY
D-PHN1	1
D-XLR3F	1
D-XLR3M	3
D-1/4F	2
RU-MX4	1
ST-DA3	1
STM-DA3	1
STP-1	1

Recommended Pwr. Supplies	
Product	QTY
PS-24AS 24 Vdc 500 mA	2

Line Color Key	
—	Line Level Audio Signal
—	Loudspeaker Level
—	Control Signal
—	Video
—	Mic Level Audio Signal
—	Ground
—	Power
—	Miscellaneous