



INSTALLATION MANUAL

EZ-SMB1 and EZ-SMB2

Surface Mount Bezels



EZ-SMB1



EZ-SMB2

RDL EZ Series products provide the highest level of value to A/V professionals and A/V users who demand professional quality. For long-term performance, quality and value, you have made the EZ choice. EZ products are made in the USA by RDL, the inventor of application-specific modules bringing decades of experience as the world's leading manufacturer of high-reliability performance products to the A/V industry. Visit the RDL website for hundreds of professional A/V products made in the USA by RDL.



www.rdlnet.com

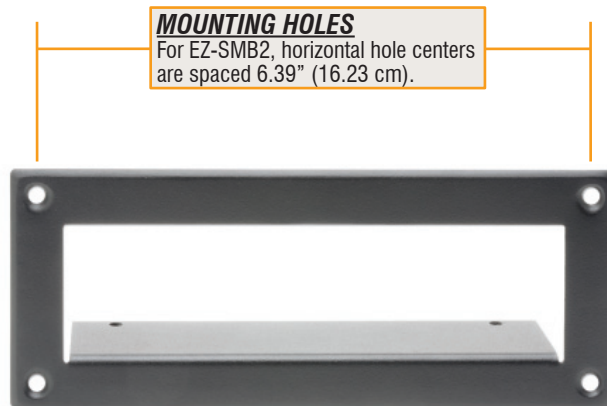
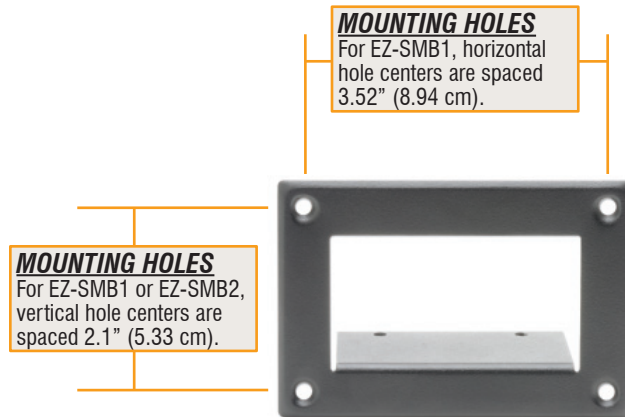
Decades of Performance, Quality and Value

RDL • 659 N. 6th Street • Prescott, AZ • USA 86301 • Sales: 800-281-2683 • 928-443-9391
Tech Support: 800-933-1780 • 928-778-3554 • RDL Europe Sales & Support: (31) 20-6238-983

EZ-SMB1 and EZ-SMB2

Surface Mount Bezels

- Mounts EZ Product in Any Flat Surface
- Bezel Covers Mounting Cutout
- EZ Product Quickly Fastens to Bezel Using Only Two Screws



MOUNTING

STEP 1

Cut a square clearance opening in the mounting surface:
EZ-SMB1 recommended cutout: 3.125" (7.9 cm)W x 1.75" (4.4 cm)H
EZ-SMB2 recommended cutout: 6" (15.2 cm)W x 1.75" (4.4 cm)H



STEP 2

Slide EZ product into the bezel from the rear, align bezel screw holes with the mounting holes on the bottom of the EZ product and install the mounting screws to secure the bezel to the product.

STEP 3

Insert EZ product and bezel into the pre-cut opening and screw the bezel to the mounting surface.

OTHER SELECTED EZ SERIES MOUNTING ACCESSORIES

EZ-RA6

Rack Adapter for 6 Increments of 1/6 Rack Width



EZ-CC6

Component Chassis for 6 Increments of 1/6 Rack Width



EZ-UCB2

Under-Counter Brackets 1/6 or 1/3 Rack Width



EZ-FP1

Filler Panel 1/6 Rack Width



Mounts in EZ-CC6 and EZ-RA6

EZ-SD1

Storage Drawer 1/6 Rack Width



Use EZ-SD1 and EZ-SD2 in Place of Filler Panel(s)
Drawers Hold Adapters and Cables
Mount in EZ-CC6 and EZ-RA6

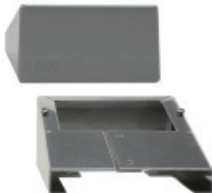
EZ-SD2

Storage Drawer 1/3 Rack Width



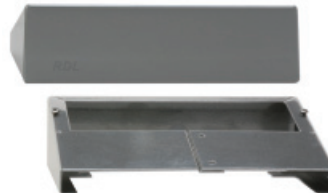
EZ-DC1

Desktop Chassis 1/6 Rack Width



EZ-DC2

Desktop Chassis 1/3 Rack Width



Complete accessory listing available at: rdlez.com

CE

891-1637

Copyright © 2009 Radio Design Labs, Inc. RDL, Radio Design Labs and the RDL logo are registered trademarks of Radio Design Labs, Inc. Data reflects product at publication time, subject to change without notice. "Made in USA" applies to all EZ products except power supplies.