

ACCESSORIES

Model RU-D1

RACK-UP Mount for Decora® Module

The RU-D1 is a RACK-UP adapter that mounts one Decora product, such as RDL D-Series remote controls, connector plates and loudspeakers.



Front



Rear



Front



Rear


With Product Installed
(D-SP1A available separately)

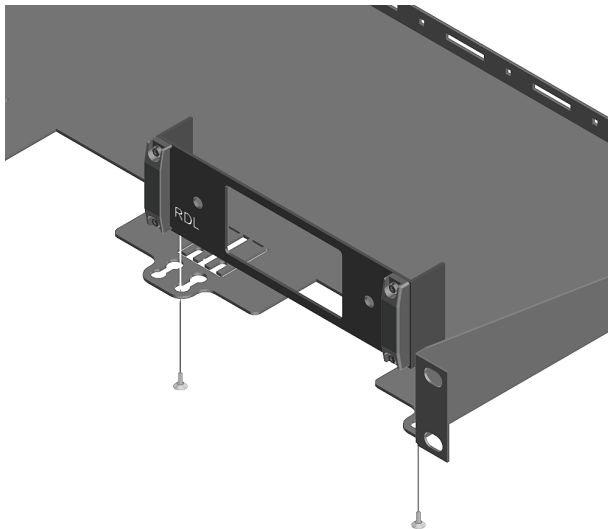
ACCESSORIES

Model RU-D1

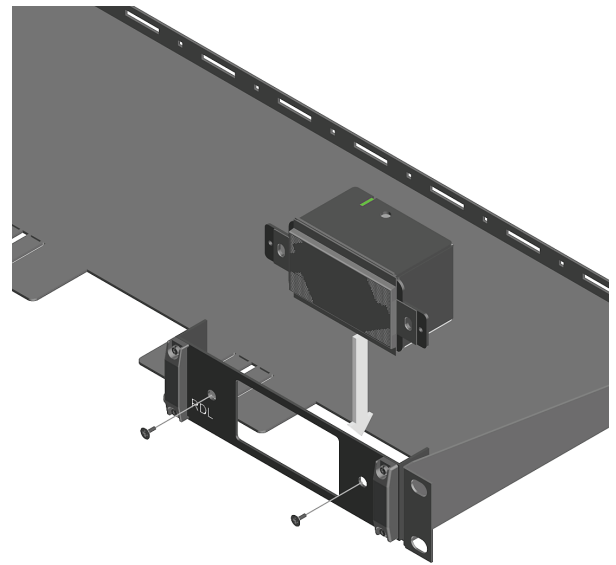
RACK-UP Mount for Decora® Module

Installation/Operation

 Declaration of Conformity available from rdlnet.com.
Sole EMC specifications provided on product package.
Specifications are subject to change without notice.



STEP #1
Install the RU-D1 onto the chassis with the 2 included screws.



STEP #2
Install the Decora product and secure to the RU-D1 with the 2 included screws.