

Studio-Quality **Bluetooth**® Interfaces



RDL's **Bluetooth**® enabled products interface wireless audio with **Dante**® network audio systems (DD SERIES-BTN44) or analog audio systems by interfacing with RDL's **Format-A**™ family of products (D SERIES-BT1A).

>>> Learn more at rdlnet.com/Bluetooth



RDL®
Radio Design Labs

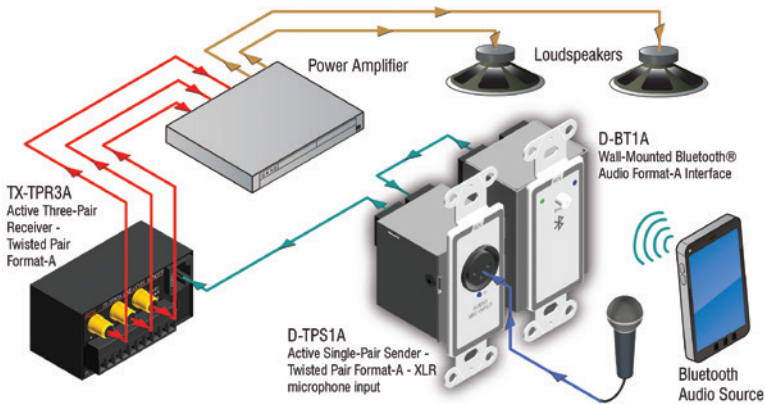
D SERIES-BT1A

Wall-Mounted Bluetooth® Audio Format-A Interface



(D-BT1A Shown - also available in stainless steel or black)

- Bluetooth Audio Input for Installed Sound System
- Intuitive Single Button Pairing with LED Status Indication
- Special Software Not Required for Module Setup
- Customize the Module ID Name and Programming Password through the Bluetooth Connection
- Mono Summed or Stereo Audio Input Mode is Switch-Selectable on Rear Panel



- Sends Received Bluetooth Audio to RDL Format-A Receivers
- Rear-Panel Switch Selects which RJ45 Pair (A, B or C) is Fed in Mono Summed Mode
- Daisy-Chain up to Three D SERIES-BT1A modules to One Format-A Receiver in Mono Mode
- Remotely Powered through Twisted Pair Cable
- Signal and Power Pair Pass-Through on RJ45 Jacks

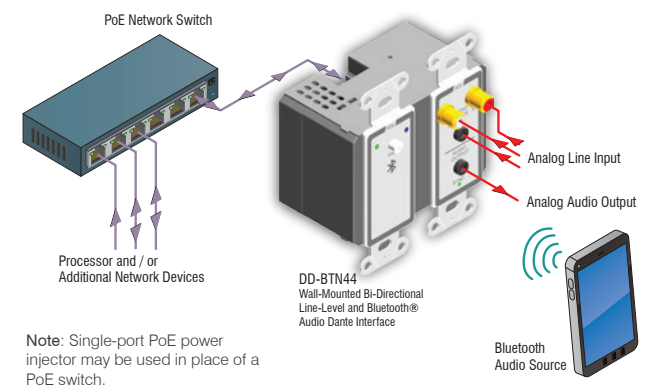
DD SERIES-BTN44

Wall-Mounted Bi-Directional Line-Level and Bluetooth® Audio Dante Interface



(DD-BTN44 Shown - also available in stainless steel or black)

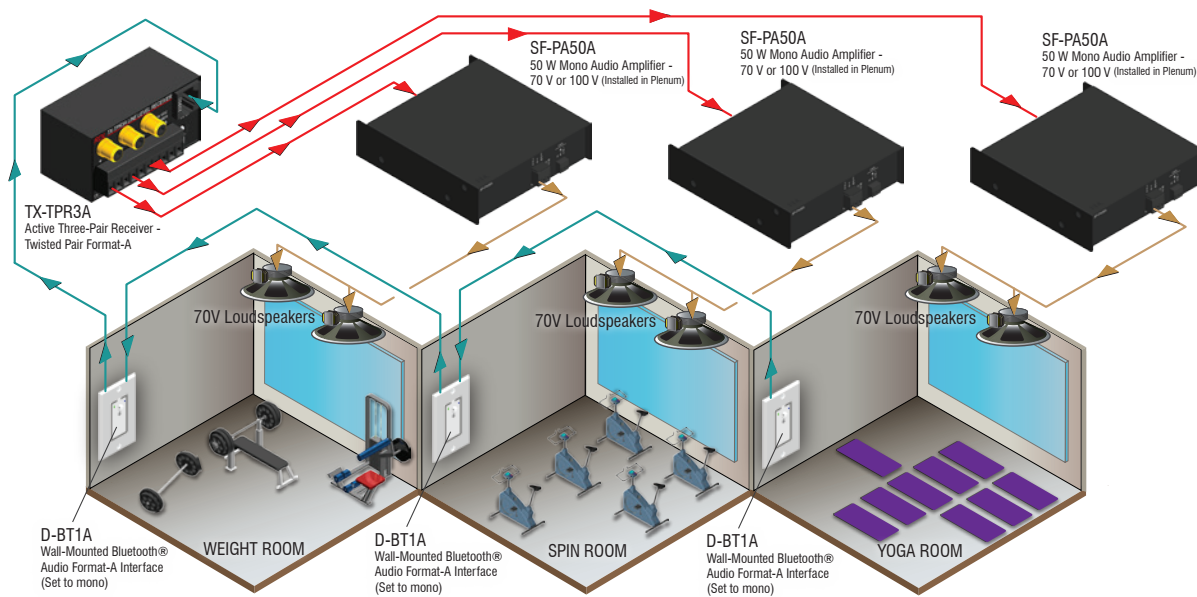
- Bluetooth Audio Input for Dante Networked System
- Consumer Audio Inputs on Mini-Jack or RCA Jacks
- Return Audio Talk Channel from Dante Network to Bluetooth Connected Device
- Consumer Audio Outputs on Mini-Jack
- Balanced and Unbalanced Audio Line Outputs on Rear Panel



Note: Single-port PoE power injector may be used in place of a PoE switch.

- Intuitive Single Button Bluetooth Pairing with LED Status Indication
- Special Software Not Required for Module Setup
- Customize the Module ID Name and Settings through the Bluetooth Connection
- Mono or Stereo Mode for Audio Inputs is Switch-Selectable Behind Cover Plate
- Module is PoE Powered

3 Room Application - Fitness Facility



Common Format-A Receivers



TX-TPR3A
Active Three-Pair Receiver - Balanced line outputs

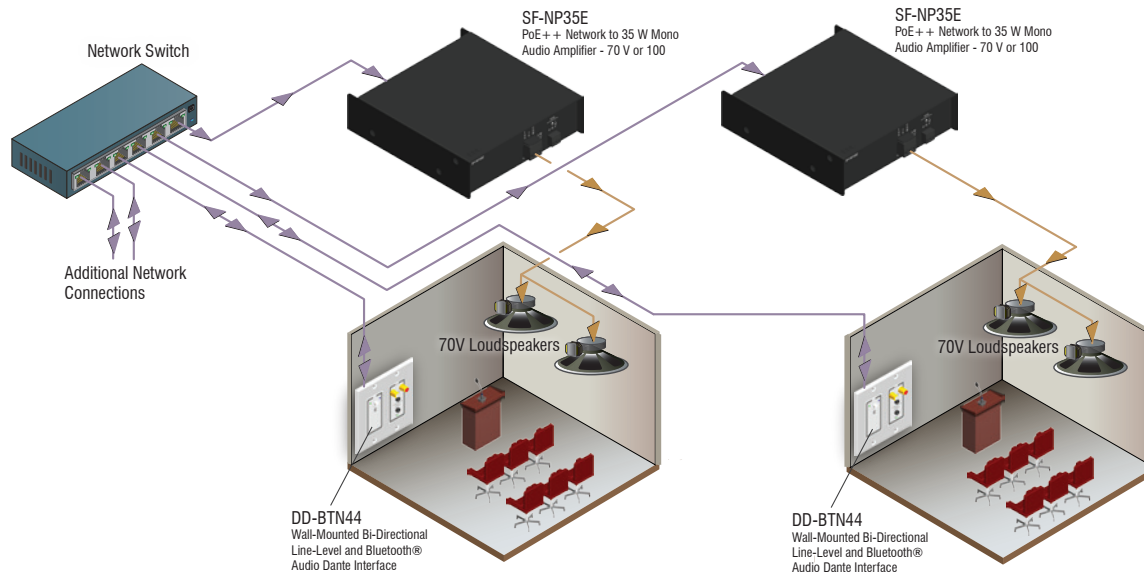


TX-TPR1A
Active Single-Pair Receiver - Balanced line output



D-TPR1A
Active Single-Pair Receiver - XLR mic/line output

2 Room Application - Meeting Rooms



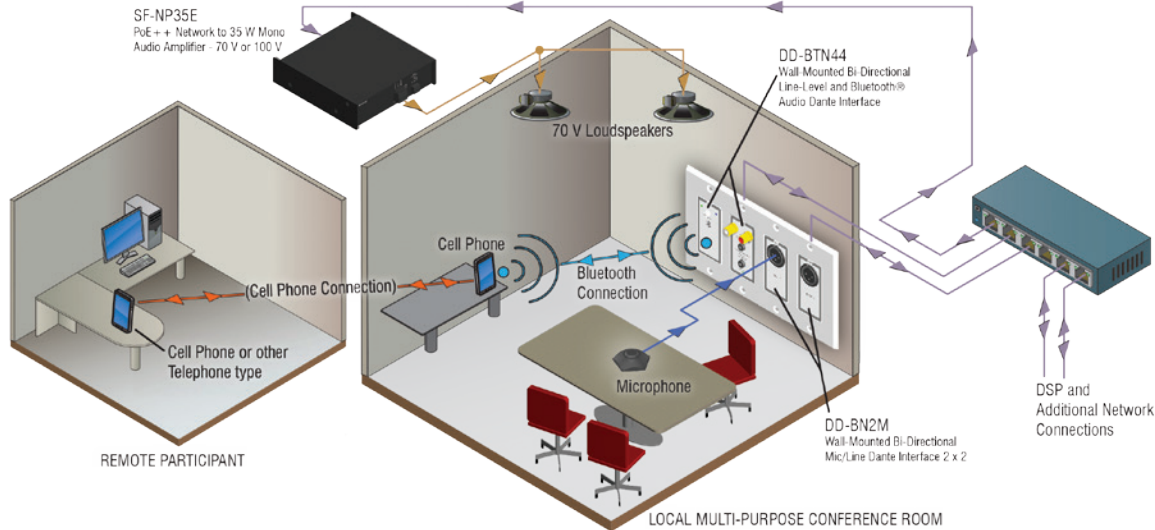
RDL Bluetooth modules are ideal for use in a wide variety of applications including:

- Corporate
- Hospitality
- Retail
- Education
- Fitness facilities
- Anywhere a high quality Bluetooth audio interface is required

Custom Labeling

The front panel text of RDL Decora Bluetooth modules may be custom labeled at rdlnet.com.

Conference Call Application



The cell phone in the local conference room connects the room microphone and speakers with the remote participant so everyone can hear each other. When the local cell phone is paired while not on a phone call, that phone can play audio through the conference room speakers.

Bidirectional Bluetooth Audio

The DD SERIES-BTN44 module features bidirectional audio that provides full duplex conference-call functionality to a paired phone or equivalent device. This feature makes the DD SERIES-BTN44 ideal for use in a conference room where a remote caller needs to be able to participate.

Mounting Accessories

Available Colors



CP Series
1 to 4 Gang Steel
Cover Plates

Available Colors



DC Series
1 to 4 Gang Steel
Desktop Chassis

Available Colors



SMB Series
1 to 4 Gang Steel
Surface Mount Boxes



WB Series
Universal Wall Boxes
(US & International)

U.S. & International Sales:
Phone: (800) 281-2683, (928) 443-9391 Fax: (800) 289-7338, (928) 443-9392
RDL, 659 6th Street, Prescott, AZ. 86301 USA

European Sales:
Phone: (31) 20-6238 983 Fax: (31) 20-6225 287
RDL Europe BV, Gebouw Y-Tech, Van Diemenstraat 36, 1013 NH Amsterdam, The Netherlands

Technical Support:
Phone: (800) 933-1780, (928) 778-3554 Fax: (928) 778-3506
RDL, 659 6th Street, Prescott, AZ. 86301 USA